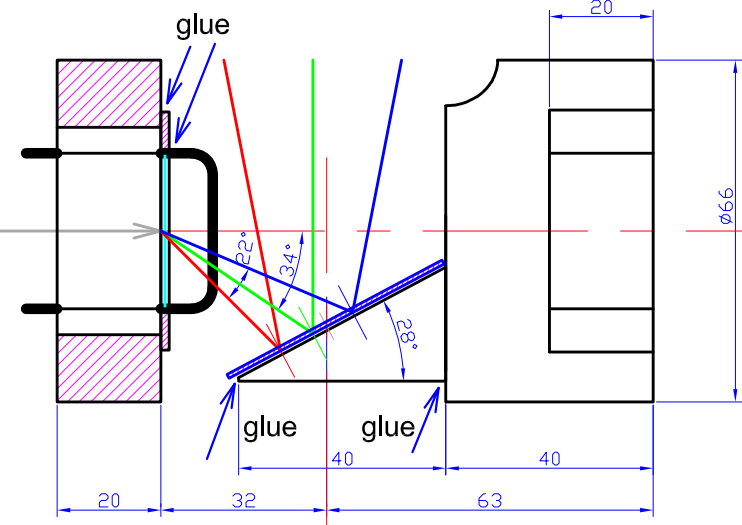
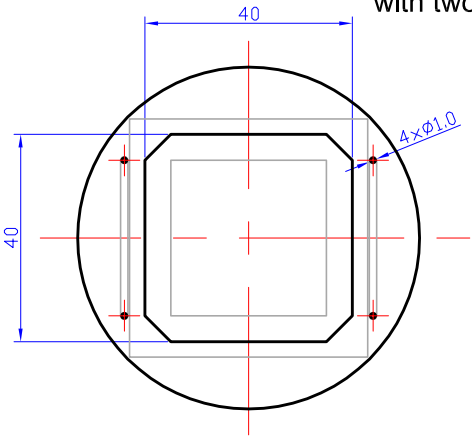
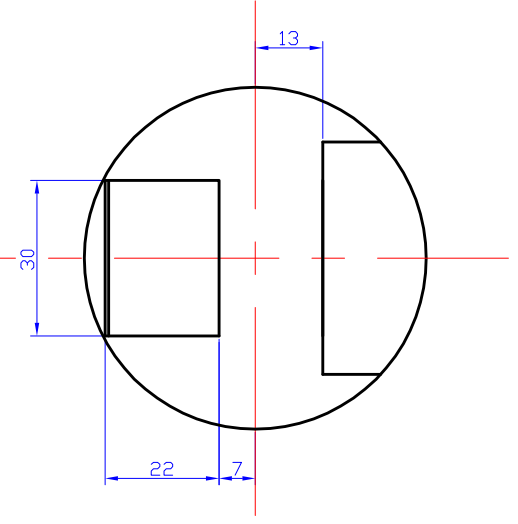
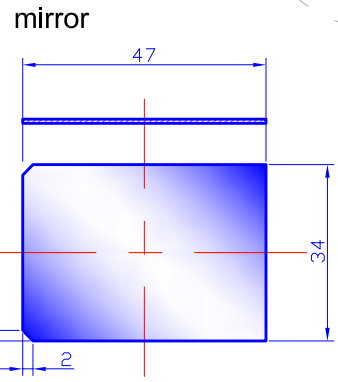
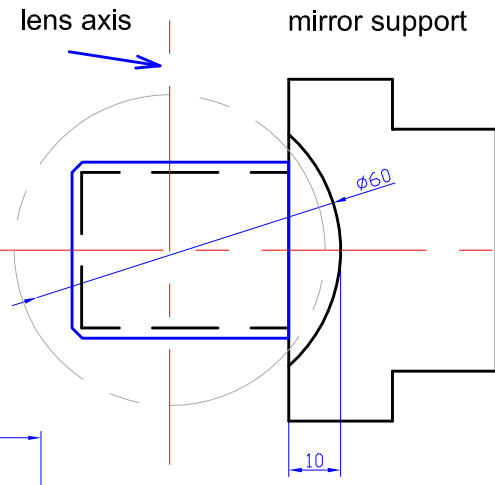
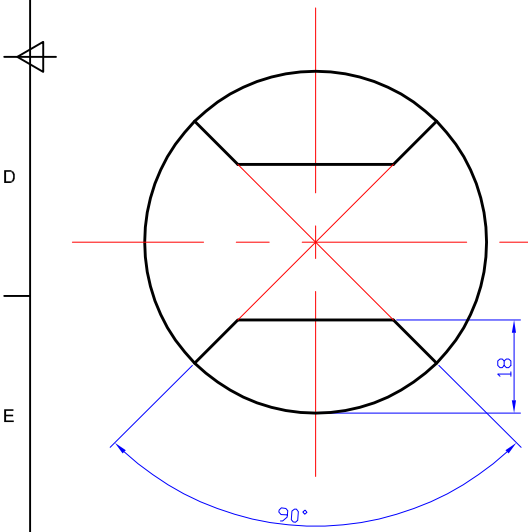
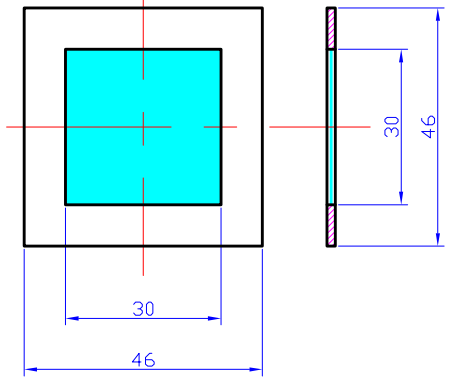


Material:	Styrofoam, diffractive grating k=1000, mirror, wire $\varnothing=1.4$ mm, styrofoam glue, black mat paint.
Finish:	Cut all parts with sharp segmented blade utility knife, glue all together, paint it black.

diffractive grating support with two handles



diffractive grating k=1000 assembled in the frame



Remarks:	none					
Design:	Adam W. Kamela	Checkout:	Adam W. Kamela	Approval:	Adam W. Kamela	
Date:	28-07-2014	Number of pieces per product:	1	Scale:	1:1	
Part name:			Diffractive grating and support version TRANS k=1000			
Part number:			none			
Sheet:			1 / 1		Edition:	01

Adam Wiktor Kamela
www.kamela.org